

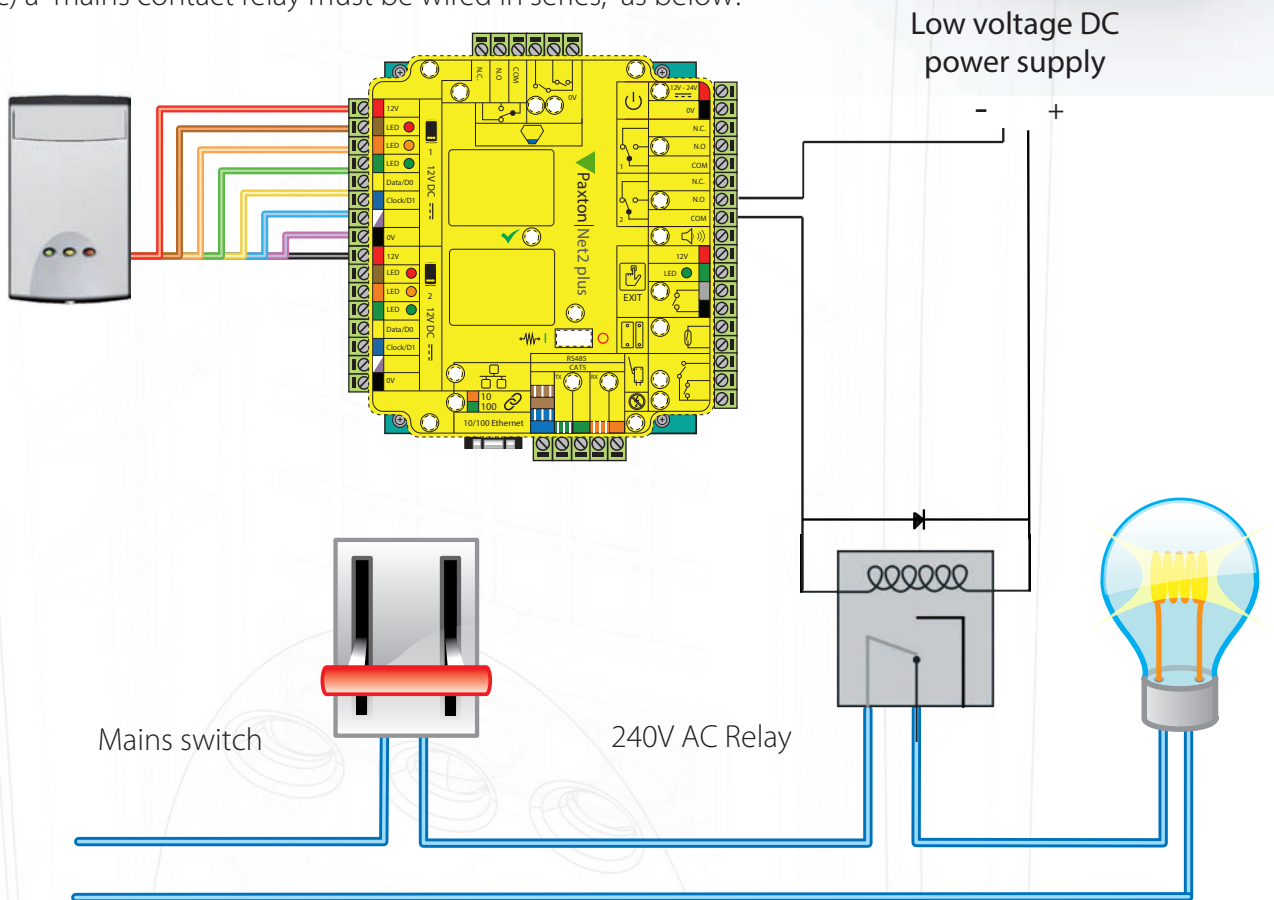
Using the energy saving reader

Leaving appliances on when a room is empty is simply a waste of energy and money. By incorporating an energy saving reader to control the lights, air conditioning, etc, there is a guarantee that they will be turned off after use since the user requires their proximity card for access around the site.

They can also be fitted to safety critical machines where the presence of a card is required to power up the device.

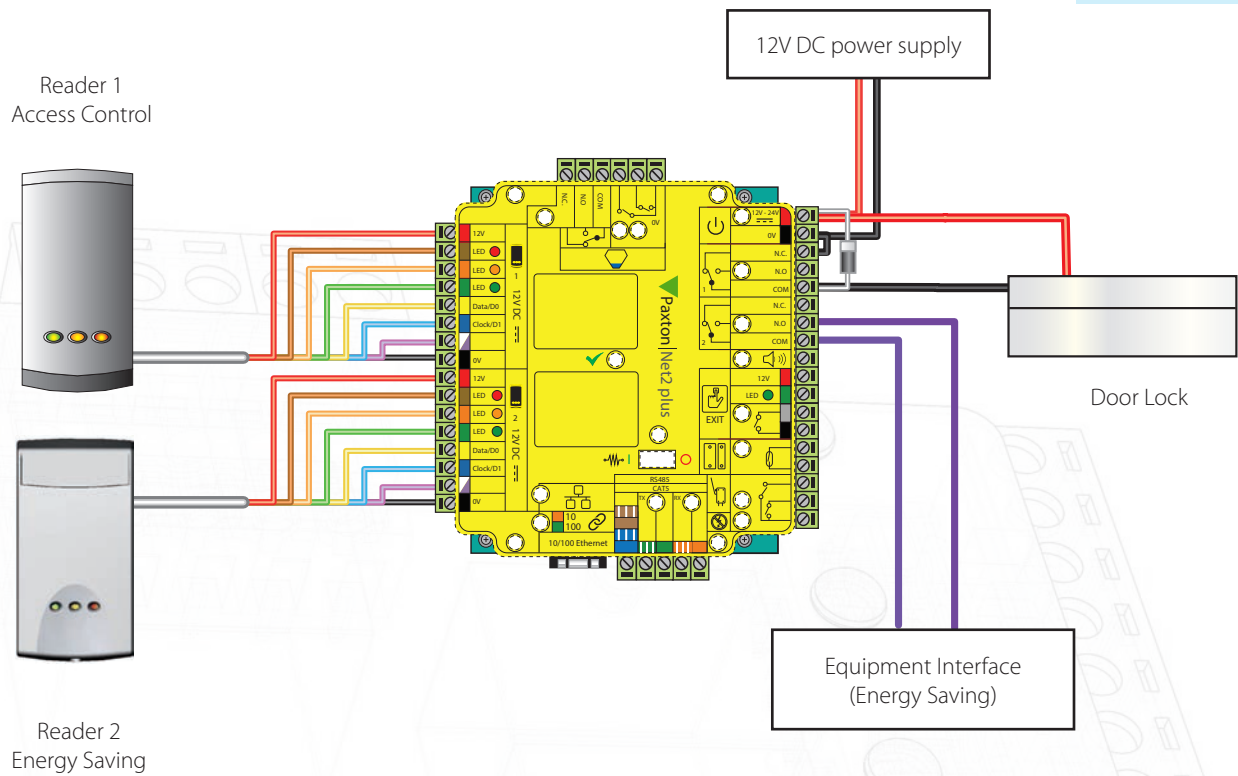
The reader has a special cover that is designed to retain a user card. The presence of a card in the reader can then be used with a Paxton controller to provide a voltage free relay output to directly switch low voltage (less the 24V DC) circuits. Set the Net2 reader output to 'Relay 2 Toggles'

If there is a need to switch mains power (lighting, air conditioning, etc) a mains contact relay must be wired in series, as below:



The Switch2 controller can be used for the same function. Set the unit to operate in toggle mode with a function card. The mains relay is again wired across the COM/NO/NC Switch2 terminals as required.

NOTE: The reader only monitors one card at a time and so a short 'off' period will occur if the user card in the holder is exchanged for another.



The above diagram shows how a single ACU can be used for both access control (Reader 1 - Relay 1) and energy saving (Reader 2 - Relay 2).

The equipment interface is defined as any connection to item(s) that need to be turned off when not required. This may be the switching on/off of a low voltage enabling signal to the controlling of the power feed itself.

Where mains voltage is involved the wiring should be as on the previous page.