

Paxton Exit - E38, E50, E75

System specifications

Cable Length	5m/16ft (Screw connector - None)
Cable extension length and type	≤ 25m/82ft Belden 9538/ Belden 5506FE (USA) ≤ 100m/328ft Belden 9540/ Belden 5306FE (USA)
Additional coloured covers available	Yes
Handsfree compatible	No

Electrical

Operating Voltage	10V - 14V DC
Current consumption	70mA

Environment

Operating temperature	-20°C - +55°C -4°F - +131°F
Moisture resistance	No
Vandal Resistance	Medium



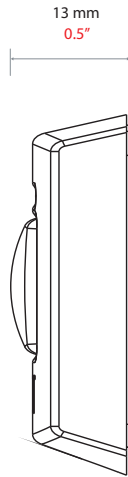
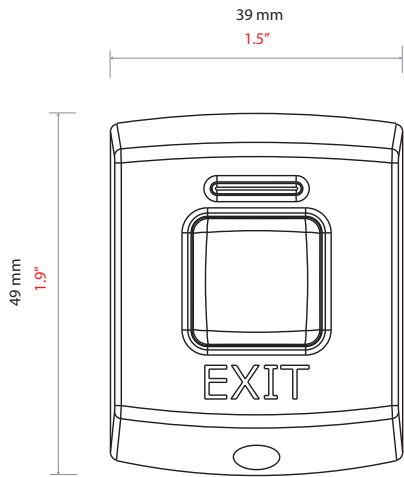
Exit buttons may be used with Compact, Switch2 or Net2 systems. They are supplied with a choice of black or white covers. The E series exit buttons are available in three sizes and are only suitable for interior use.

The E75 exit button fits on a standard UK recessed backbox.

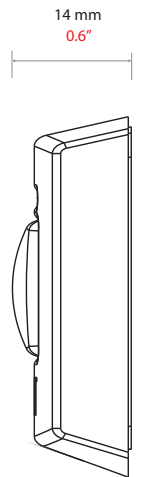
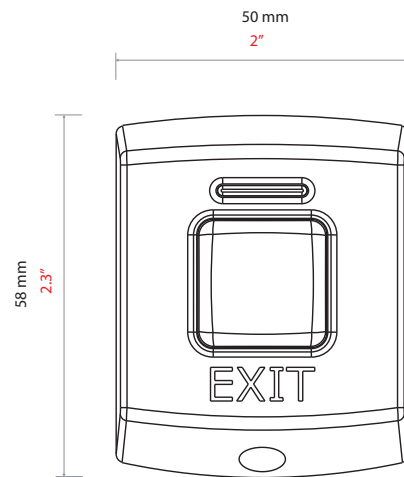
The green LED is lit continuously. When the exit button is pressed, the green LED flashes to indicate that the door is unlocked (only when used with Switch2 and Net2).

EXIT

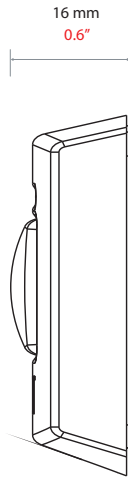
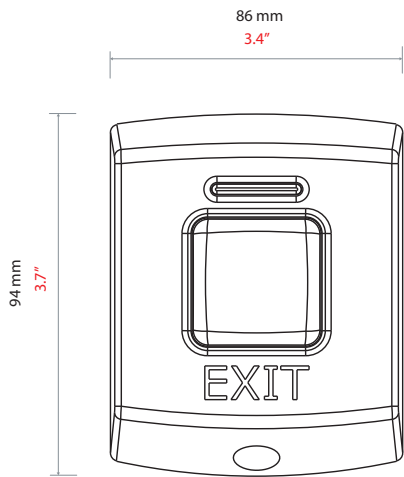
E38



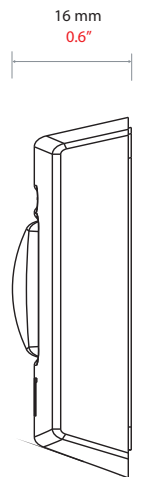
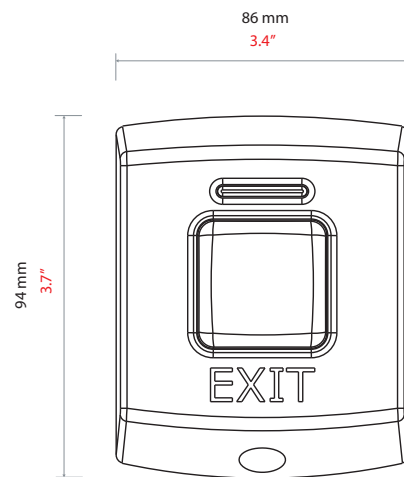
E50



E75



E75sc



Accessories and sales codes

Paxton Exit button - E38 333-110
 Paxton Exit button - E75 373-110

Paxton Exit button - E50 353-110
 Paxton Exit button - E75, Screw connector 373-120