

Net2Air Bridge

System specification

PoE compliant	IEEE 802.3 af/at
Cable type	CAT5
Weight	226 grams

Electrical

Operating Voltage	IEEE 802.3af (15.4W)
Wireless frequency	2.4GHz (802.15.4)
DHCP support (fixed IP recommended)	Yes

Hardware

Plasterboard fixing Tensile resistance	0.06kN
Plasterboard fixing Shear resistance	0.18kN

Communication

LED status indication	Yes
Typical wireless range	15m/50ft
Encryption	AES128 bit

Environment

Operating Temperature	-0° - +50° +4F° - +131F°
Moisture resistance	No
Vandal resistance	No

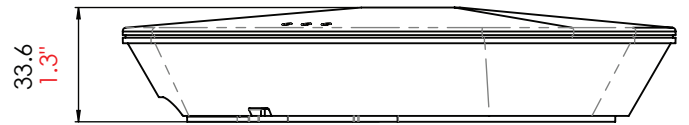
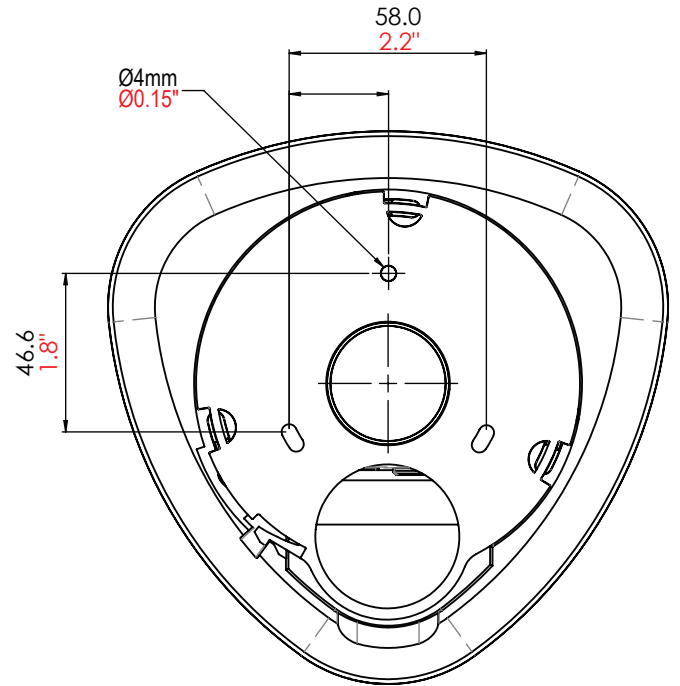
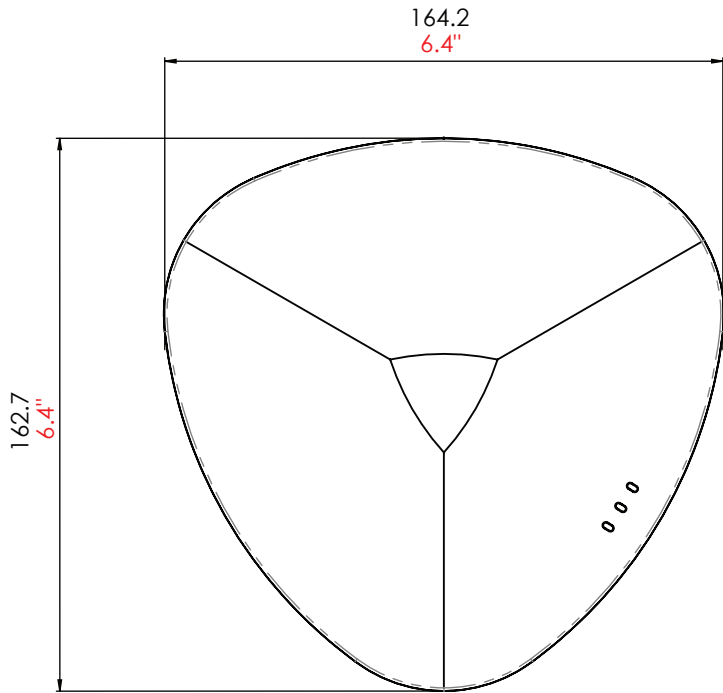
Certification

UL	60950-1
----	---------



The Net2Air bridge uses Paxton Access' Net2Air wireless technology to communicate with the Net2 software. The Net2Air Ethernet bridge provides the wireless communication link between the PC running Net2 and wireless control units such as the Paxlock Pro or Net2 Nano.

The Ethernet bridge uses a site's LAN which means that multiple Ethernet bridges can be placed around a site and linked back to the PC.



Accessories and sales codes

Net2Air bridge

477-600