

TOUCHLOCK keypad Stainless Steel (485-374)

Contents of kit

TOUCHLOCK keypad Stainless Steel
TOUCHLOCK keypad Stainless Steel installation instructions
TOUCHLOCK keypad Stainless Steel mounting template
220 ohm resistor
Fitting kit

Suitability

Products

The TOUCHLOCK keypad is suitable for use with the Switch2 control unit (405-321) and the PC based Net2 control unit (489-334).

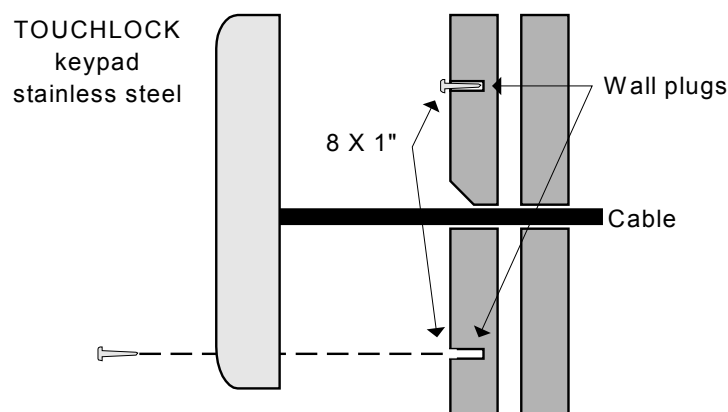
Environment

The keypad will operate between -20°C and $+70^{\circ}\text{C}$. It is rated at IPX7 and so is suitable for both internal and external use.

Where to use the TOUCHLOCK keypad

YES	NO	Reason why not
Low to high use doors	Completely vandal proof	Keypad is exposed
Inside and outside		
No need to shelter from the elements		
Narrow door frames		
Architecturally sensitive installations		

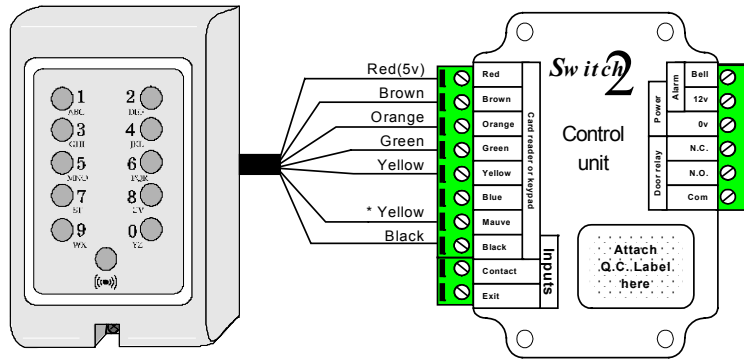
Fitting



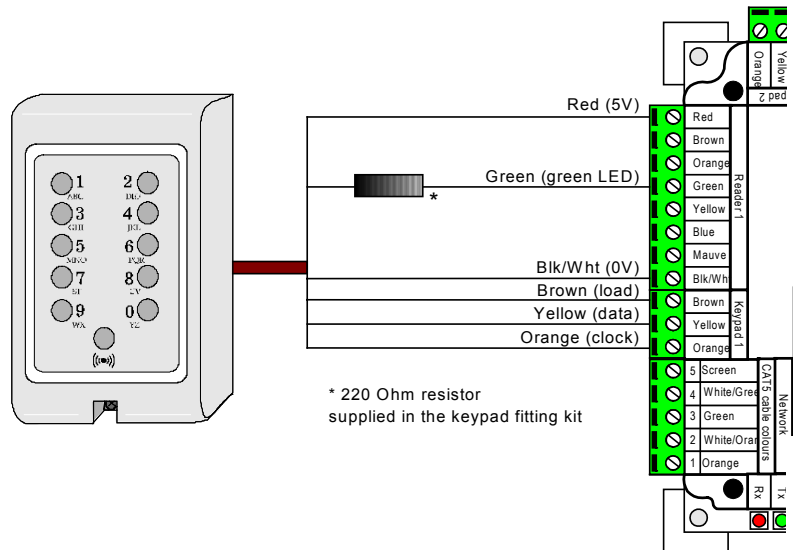
- Using the template provided with the keypad, drill holes for the two screws and the cable.
- Extend the top of the cable hole to allow the keypad to slide down during fitting.
- Insert the raw plugs and screw the top 8 X 1" in only. Leave a gap of approximately 2mm between the screw head and the face of the wall. Try the keypad on the screws and adjust as required.
- Once a good fit has been achieved, thread the cable through the wall and locate the keypad. Lock it into place with the locking screw at the bottom. If being installed into a vandal risk area, a tamper resistant security screw can be used.

Wiring

TOUCHLOCK keypads are supplied with 3m of cable. The colours of the cable cores correspond to the labelling on the Switch2/Net2 ACU.



To save space on the board, a keypad wired to the Net2 ACU shares power and LED terminals with the reader.



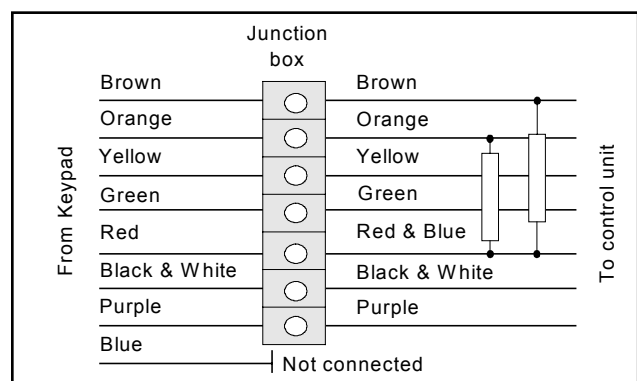
Connecting 2 keypads

If 2 keypads are to be connected to Switch2 they should be wired in parallel but the Yellow wire from the second keypad connects into the Mauve terminal. If 2 keypads are to be connected to Net2 the second keypad connects to the keypad 2 slot provided.

Cable Extensions

The type of cable used to extend this distance will effect the maximum distance the keypad can be extended. All distances are assuming that the keypad is wired according to our instructions.

ACU used	Maximum distance from ACU	
	CR9538	CR9540
Net2 ACU	30M	30M
Switch2 ACU	30M	30M



Be sure, when extending the cable distance beyond 3M, to keep the colours the same throughout the run. **Beyond 10M pull up resistors must be fitted as shown above!**