

Ins-30015 PROXIMITY Universal Reader - Clock and Data Output

Technical Support

☎ 01273 811011

✉ support@paxton.co.uk

Technical help is available: Monday - Friday from 07:00 - 19:00 (GMT)
Saturday from 09:00 - 13:00 (GMT)

Documentation on all Paxton products can be found on our website - <http://www.paxton.co.uk/>

Suitability

Wet environments ✓

Security-sensitive doors ✓

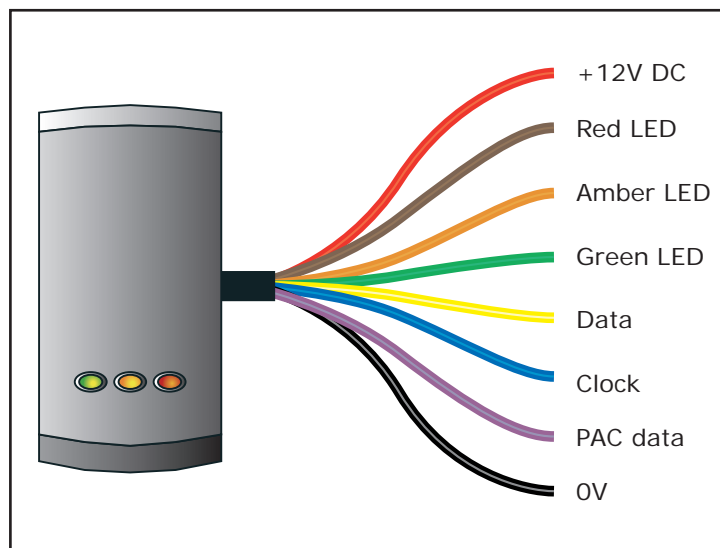
Mounted on metal surface ✗

Readers mounted together **300mm**
between readers

Fitting



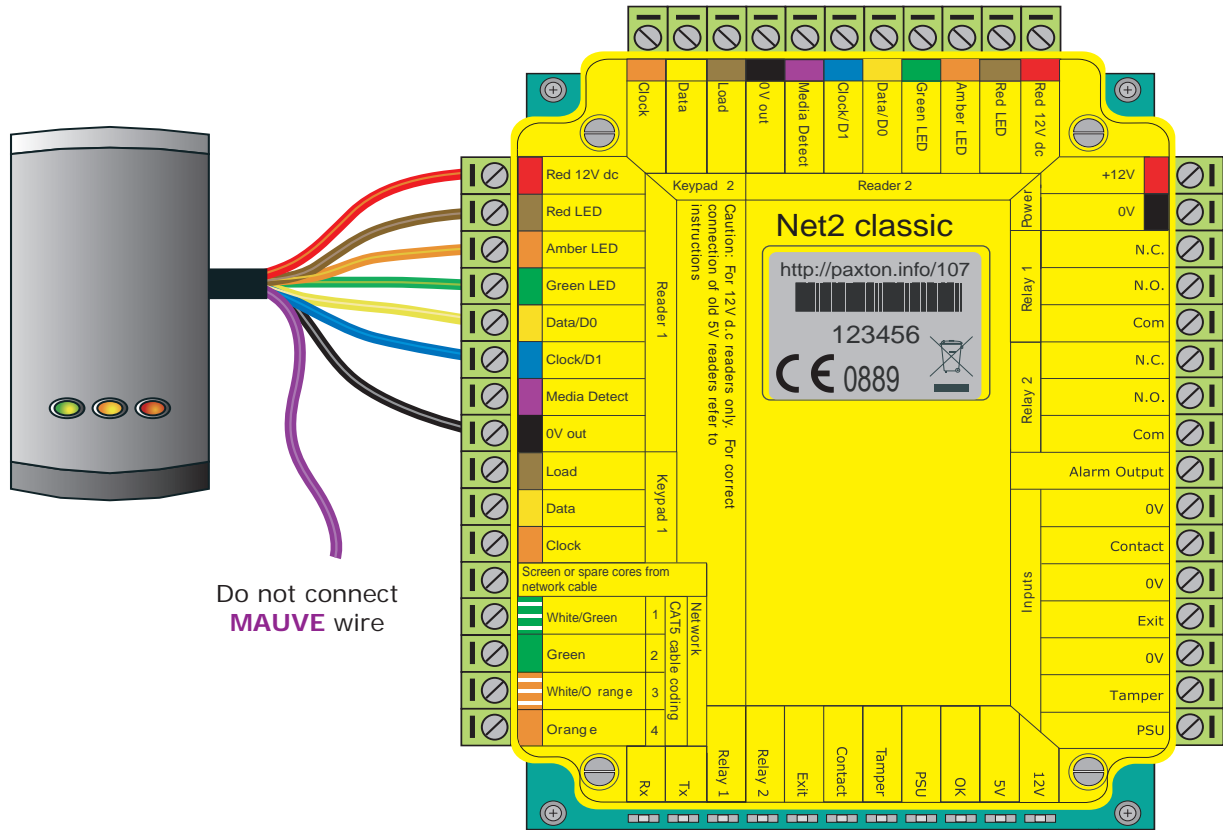
Wiring



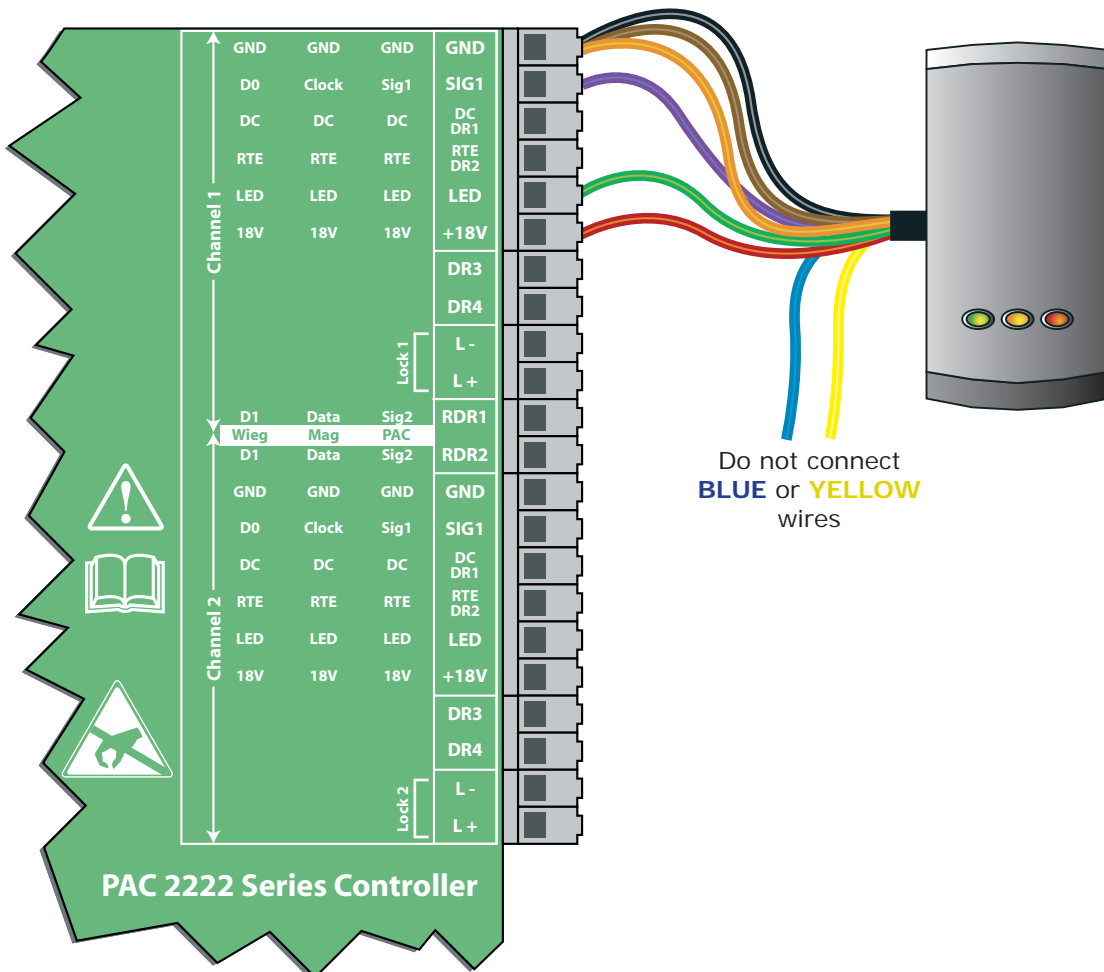
Cable extensions

Readers can be extended using Belden CR9540 10-core overall screened cable to a maximum of 100 metres.

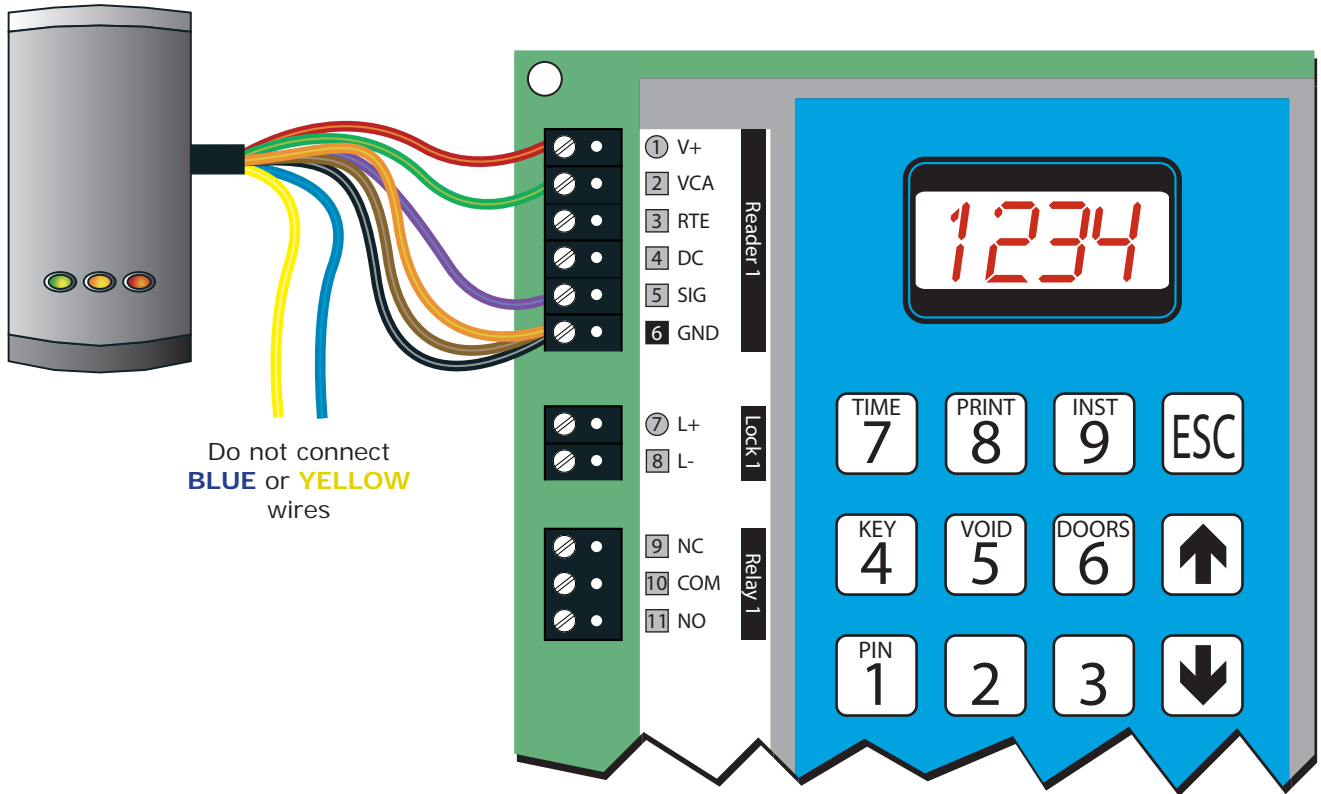
Paxton Net2 control unit



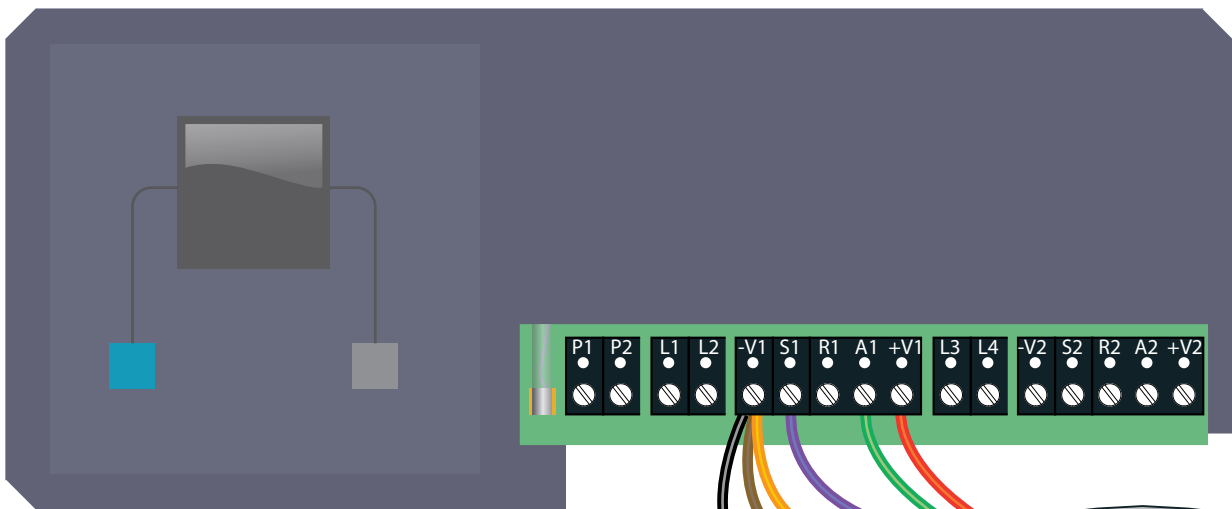
PAC 2222 Series Controller



Easikey 1000



Easikey 99



Compatible with the following tokens

	PACNET		Minifob*
	PAC		PROXIMITY card*
	Impro/any EM4100		PROXIMITY ISO card*
	PAC PROX card		WatchProx*

* If a Paxton proximity token is presented to a Universal reader being used with Net2, the number sent from the reader will be different to the number shown on the barcode label.

Specifications

Environment	Min	Max	
Operating temperature	-20 °C	+55 °C	
Cable length			5 metres
IP Rating	IPX7		Outdoor Use
Electrical	Min	Max	
Voltage	10V DC	14V DC	
Current	50 mA	120 mA	
Carrier frequency	125 kHz	153 kHz	
Clock and data bit period			600 µs
Dimensions	Width	Height	Depth
Reader	38mm	78mm	13mm

Reader covers

Additional covers are available in black, white, grey, blue and silver. Registered installers can order these free of charge by logging onto the secure installer extranet: <http://paxton.info/1035>. If you are not a registered installer please call us on: **01273 811011** for more information.

CE0168

DE Paxton Access Ltd erklärt, daß diese Anlage den grundlegenden Anforderungen und anderen relevanten Bestimmungen der Richtlinie 1999/5/EC entspricht. Die Anlage ist zur Verwendung in allen EG- und EFTA-Mitgliedsstaaten bestimmt.

DK Paxton Access Ltd erklærer, at dette udstyr er i overensstemmelse med vigtige krav og andre relevante bestemmelser i Direktiv 1999/5/EC. Udstyret er beregnet til brug i alle EU- og EFTA-medlemslande.

EN Paxton Access Ltd hereby declares that this product is in conformity with all the essential requirements of the Directive 1999/5/EC. This equipment is intended for use in all the EU and EFTA countries and all other countries worldwide.

ES Paxton Access Ltd declara que este equipo cumple con los requisitos esenciales y otras disposiciones pertinentes de la Directiva 1999/5/EC. El equipo está destinado para su uso en toda la UE y estados miembros de EFTA.

FI Paxton Access Ltd takaa, että tämä laite on 1999/5/EC-direktiivin olennaisten vaatimusten ja muiden lausekkeiden mukainen. Laite on tarkoitettu käytettäväksi kaikissa EU ja EFTA-jäsenmaissa.

FR Paxton Access Ltd déclare que cet équipement répond aux exigences essentielles et autres dispositions pertinentes de la directive 1999/5/EC. Cet équipement est prévu pour l'utilisation dans tous les états membres de l'UE et de l'AELE.

GR Η Paxton Access Ltd προβαίνει στην ανακοίνωση ότι αυτά τα μηχανήματα έχουν τις βασικές απαιτούμενες προδιαγραφές και υπόκεινται στις υπόλοιπες σχετικές διατάξεις της Οδηγίας 1999/5/EC. Προορίζονται δε για χρήση σε όλες τις χώρες - μ'έλη της ΕΕ και της ΕFTA (Ευρωπαϊκής Ένωσης Προώθησης Εμπορικών Συναλλαγών).

IC Paxton Access Ltd lýsir hér með yfir að þetta tæki uppfyllir grunnkröfur og tengd ákvæði ESB tilskipunar nr. 1999/5/EC. Tækið er ætlað til notkunar á Evrópska efnahagssvæðinu og í EFTA löndunum.

IT La Paxton Access Ltd certifica che la presente apparecchiatura è conforme ai requisiti di legge stabiliti nella direttiva 1999/5/EC. Il suo utilizzo dovrà avvenire in tutti i Paesi membri UE ed EFTA.

NL Paxton Access Ltd verklaart, dat deze uitrusting in overeenstemming is met de essentiële vereisten en andere relevante bepalingen van Richtlijn 1999/5/EC. De uitrusting is bedoeld voor gebruik in alle EU en EFTA lidstaten.

NO Paxton Access Ltd erklærer herved at dette utstyret oppfyller de vesentligste krav og relevante bestemmelser i direktiv 1999/5/EF om radio- og teleterminalutstyr. Ustyret er beregnet på bruk i alle medlemsland i EU og EFTA.

PT A Paxton Access Ltd declara que este equipamento está de acordo com os requisitos básicos e outras provisões relevantes da Directiva 1999/5/EC. Este equipamento destina-se ao uso em todos os estados-membros da União Europeia e da EFTA.

SE: Paxton Access Ltd förklarar att denna utrustning överensstämmer med de väsentliga krav och regler som finns i direktivet 1999/5/EG. Utrustningen är avsedd att användas i alla medlemsstater i EU och EFTA.

Notices of Conformity: <http://www.paxton-access.co.uk/conf/prodconf.html>