


Ins-30155 12V DC PoE+ power supply in cabinet with Net2 plus

Technical Support

 01273 811011

 support@paxton.co.uk

Technical help is available: Monday - Friday from 07:00 - 19:00 (GMT)
Saturday from 09:00 - 13:00 (GMT)

Documentation on all Paxton products can be found on our website - <http://www.paxton.co.uk/>

Overview

The PoE (Power over Ethernet) supply is designed to draw power from a network cable that is provided with a remote PSE. (Power source equipment)

This unit splits Ethernet data from the DC voltage. The voltage is available at two power connectors as 12V DC and the data is passed unaltered to the Ethernet Out port.

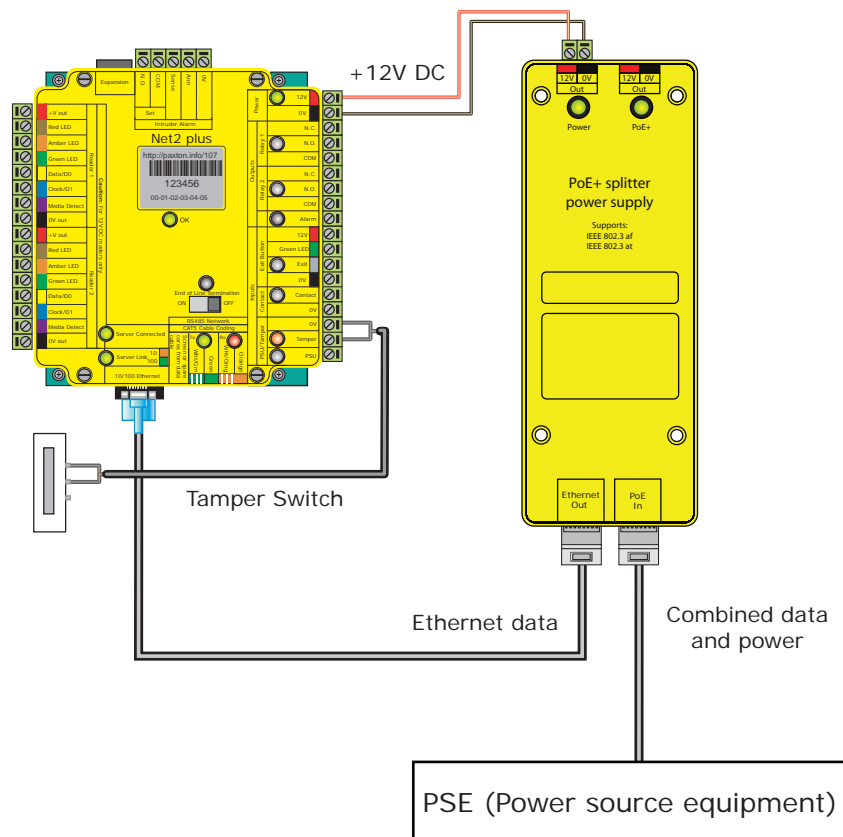
This allows a Net2 plus to receive its power and data over a single cable connection without the need for an additional power supply.

High power mode

The PoE+ power supply can be used in the high power mode (see specification table) if the power source equipment can detect this request for additional power.

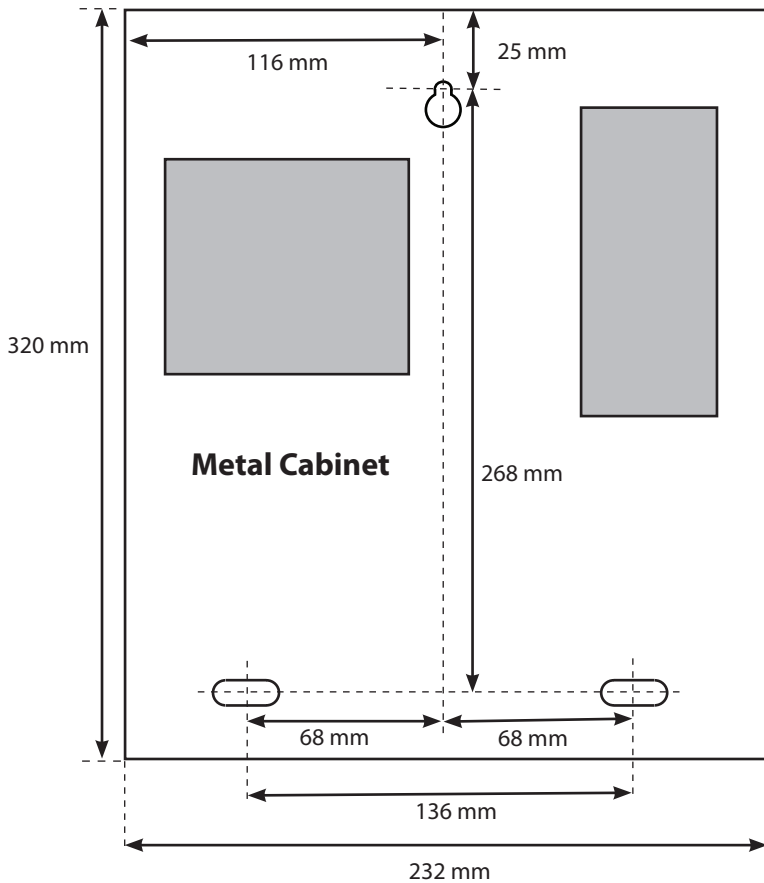
This is achieved by the Paxton supply through a hardware indication (capacitance). It is not able to provide this confirmation through software (DLL classification).

Layout



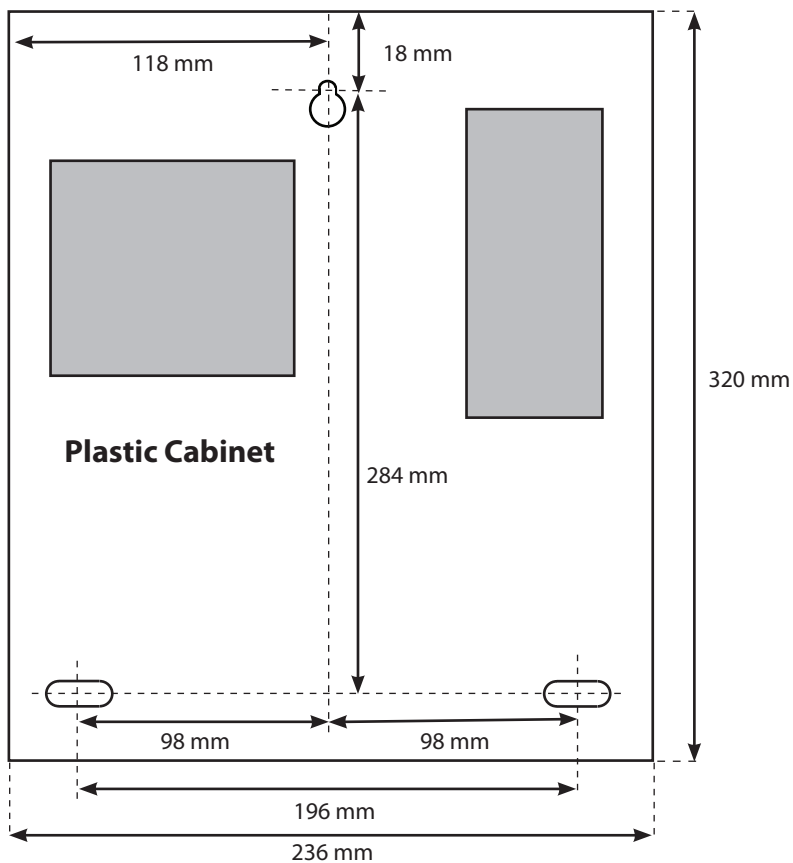
Installation

1. Connect the network cable to PoE In.
2. The Power LED will illuminate if power is available on this data line.
3. The PoE+ LED will illuminate if the high power rating is available.
4. 12V DC power is available at the two output connectors.
5. Network data is available at 'Ethernet Out'



Fitting

1. Screws and wall plugs are provided in a fitting kit. With reference to the diagrams, determine where the top, central mounting position is required and drill a hole suitable for a No 8 wall plug.
2. Tap in one of the wall plugs.
3. Put in one of the long screws, leaving a suitable gap to the wall surface and slide the cabinet over it.
4. Mark the hole positions for the lower 2 screws.
5. Remove the cabinet and drill the additional holes.
6. Tap in the 2 wall plugs and hang the cabinet back onto the top screw.
7. Secure the cabinet with the 2 lower screws.
8. Tighten the top screw.



Status Lights

Power	This LED is on when the input supply is healthy.
PoE+	This LED is on when the unit is operating in the high power mode

Specifications

PSU Electrical			
	Min	Max	
12V Output voltage		13.35V DC	
Load output current (PoE+ High power)		1.5 A	
Load output power (PoE+ High power)		20.4 W	
Load output current (802.3af - 802.3at type 1)		0.8 A	
Load output power (802.3af - 802.3at type 1)		10.36 W	
Input supply voltage	36V DC	57V DC	
Input supply current		0.83 A	
Environment			
	Min	Max	
Operating temperatures - all items	0 °C	+49 °C	
Waterproof			No
Dimensions			
	Width	Height	Depth
Metal Cabinet	232 mm	320 mm	80 mm
Plastic Cabinet	236 mm	320 mm	80 mm

WARNINGS

The following warnings and instructions MUST be adhered to. Read the instructions before installing and powering the equipment. Keep the instructions in a safe place for future reference.

RECEIVING INSPECTION- Remove any traces of packing material from the unit as such debris may create a fire or shock hazard. Unpack the unit with care and inspect for transit damage. If damage is suspected, the unit must not be used or tested, but should be returned to Paxton for investigation and the damage reported to the carrier.

INSTALLATION- Only qualified and trained personnel, familiar with this type of product and who fully understand these instructions should install, connect or test this equipment. There are no user serviceable parts within the PSU unit.

- The equipment is intended for indoor use only in dry locations.

- This is a Class A product. In a domestic environment this product may cause radio interference in which case the user may be required to take adequate measures.



The declaration of conformity is available on request. Contact details are provided at: <http://paxton.info/596>

This product is not suitable for retail sale. All warranties are invalid if this product is not installed by a competent person.