

### Technical Support



01273 811011



[support@paxton.co.uk](mailto:support@paxton.co.uk)

Technical help is available: Monday - Friday from 07:00 - 19:00 (GMT)  
Saturday from 09:00 - 13:00 (GMT)

Documentation on all Paxton products can be found on our website - <http://www.paxton.co.uk/>

### Suitability

Security-sensitive doors



Wet environments



Compatible with hands free tokens



Readers mounted together

**300 mm**  
between readers

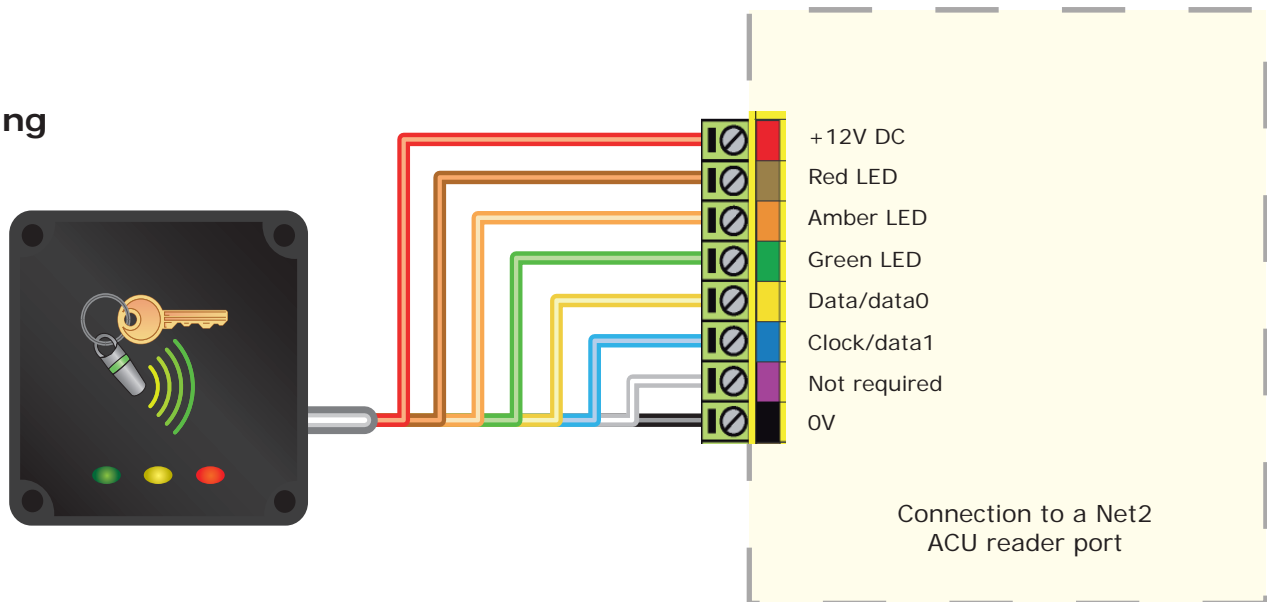
### Fitting



### Cable extensions

Readers can be extended using Belden CR9540 10-core overall screened cable to a maximum of 100 metres.

## Wiring



## Token type and configuration

The reader will recognise 125 kHz HID™ proximity tokens in format to produce a Wiegand output (26 to 50 bit) or EM4100 tokens to produce a Clock and Data output.

The reader scans the first token presented after power up and will match the reader mode to the format discovered.

If no token is read within 3 minutes of powering up, the reader will default to HID™. If you require EM4100 operation, power cycle the reader and present an EM4100 token within 3 minutes.

Once in HID™ or EM4100 mode, the reader will remain in that format.

If used with Net2, the ACU reader port must be configured to read the correct data format.

Where Wiegand cards are used, you must set the correct data format (e.g. Wiegand 26 bits) in the ACU reader port configuration or create a custom wiegand filter in the Net2 Server Configuration Utility. For further information see: [AN1010 - Configuring custom Wiegand formats](#) < <http://paxton.info/990> >


Specifications			
Electrical	Min	Max	
Voltage	10V DC	14V DC	
Current		140 mA	
Carrier frequency	115 kHz	135 kHz	
Environment	Min	Max	
Operating temperature	- 35 °C	+ 66 °C	
Waterproof	IPX7		Outdoor use
Cable length			3 metres
Read Range	Token	Keyfob	Hands Free Token
	40 mm	20 mm	Not Compatible
Dimensions	Width	Height	Depth
Panel mount reader	58 mm	58 mm	17 mm
Window size	40 mm	40 mm	
Mounting holes - 3.7 mm dia - square formation	49 mm	49 mm	See front page for position

This product is not suitable for retail sale. All warranties are invalid if this product is not installed by a competent person.



The declaration of conformity is available on request. Contact details are provided at: <http://paxton.info/596>

### Technical Support

 01273 811011

 [support@paxton.co.uk](mailto:support@paxton.co.uk)

Technical help is available: Monday - Friday from 07:00 - 19:00 (GMT)  
Saturday from 09:00 - 13:00 (GMT)

Documentation on all Paxton products can be found on our website - <http://www.paxton.co.uk/>

### Suitability

Security-sensitive doors



Wet environments



Compatible with hands free tokens



Readers mounted together

**300 mm**  
between readers

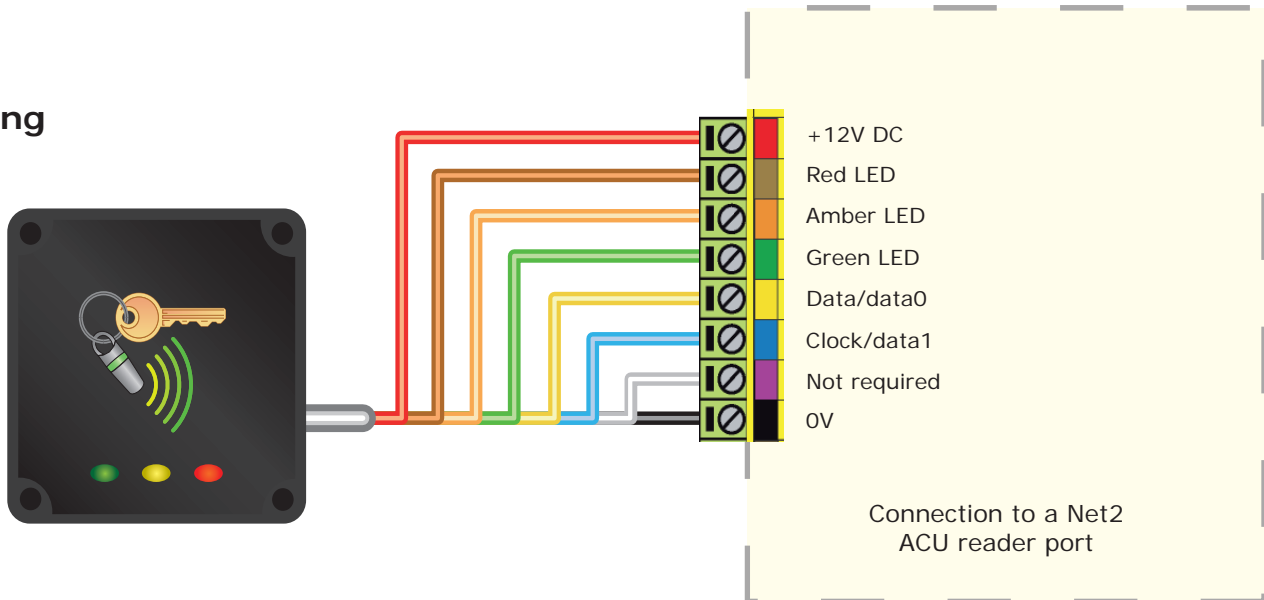
### Fitting



### Cable extensions

Readers can be extended using Belden CR9540 10-core overall screened cable to a maximum of 100 metres.

## Wiring



## Token type and configuration

The reader will recognise 125 kHz HID™ proximity tokens in format to produce a Wiegand output (26 to 50 bit) or EM4100 tokens to produce a Clock and Data output.

The reader scans the first token presented after power up and will match the reader mode to the format discovered.

If no token is read within 3 minutes of powering up, the reader will default to HID™. If you require EM4100 operation, power cycle the reader and present an EM4100 token within 3 minutes.

Once in HID™ or EM4100 mode, the reader will remain in that format.

If used with Net2, the ACU reader port must be configured to read the correct data format.

Where Wiegand cards are used, you must set the correct data format (e.g. Wiegand 26 bits) in the ACU reader port configuration or create a custom wiegand filter in the Net2 Server Configuration Utility. For further information see: [AN1010 - Configuring custom Wiegand formats](#) < <http://paxton.info/990> >

## Specifications

Electrical	Min	Max	
Voltage	10V DC	14V DC	
Current		140 mA	
Carrier frequency	115 kHz	135 kHz	
Environment	Min	Max	
Operating temperature	- 35 °C	+ 66 °C	
Waterproof	IPX7		Outdoor use
Cable length			3 metres
Read Range	Token	Keyfob	Hands Free Token
	40 mm	20 mm	Not Compatible
Dimensions	Width	Height	Depth
Panel mount reader	58 mm	58 mm	17 mm
Window size	40 mm	40 mm	
Mounting holes - 3.7 mm dia - square formation	49 mm	49 mm	See front page for position

This product is not suitable for retail sale. All warranties are invalid if this product is not installed by a competent person.



The declaration of conformity is available on request. Contact details are provided at: <http://paxton.info/596>