

Net2 Entry Audio monitor

System specifications

Power over Ethernet (PoE)	Yes - IEEE 802.3af class 0
Ethernet bandwidth requirement	1Mb/s multicast per panel during call
Monitors per system	≤1000
TCP/IP Ethernet extension limit	100m/328ft
Cable type	CAT5
Current consumption	2.1 W (Average) 3.3 W (Max)

Hardware features

Audio system	Full Duplex
Door bell input	2 wire, 8v illumination supported
LED status indicator	RGB LED Answer call Amber Open door Green Mute Red
Action buttons	Yes (x2)
Dry contact relay	Yes, 2A
Line out for T-loop antenna	Yes

Software features

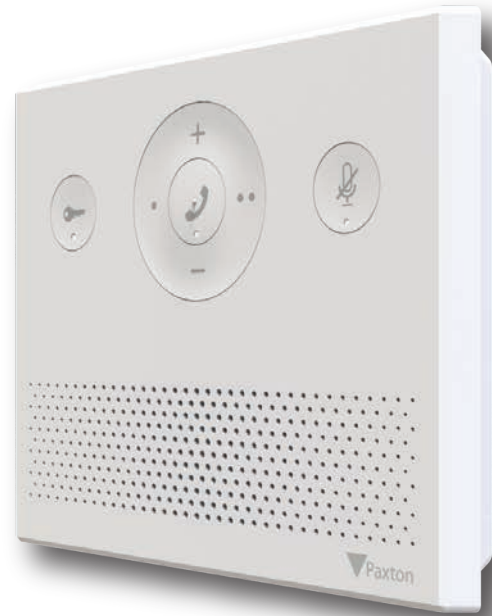
Selectable ringtones	Yes, 4
Do Not Disturb function	Yes
Concierge compatible	Yes

Environment

Operating Temperature	-0°C - +49°C +32°F - +120°F
Moisture resistance	No
Vandal Resistance	Low
Surface mount	Yes
Backbox compatibility	UK, Euro, USA

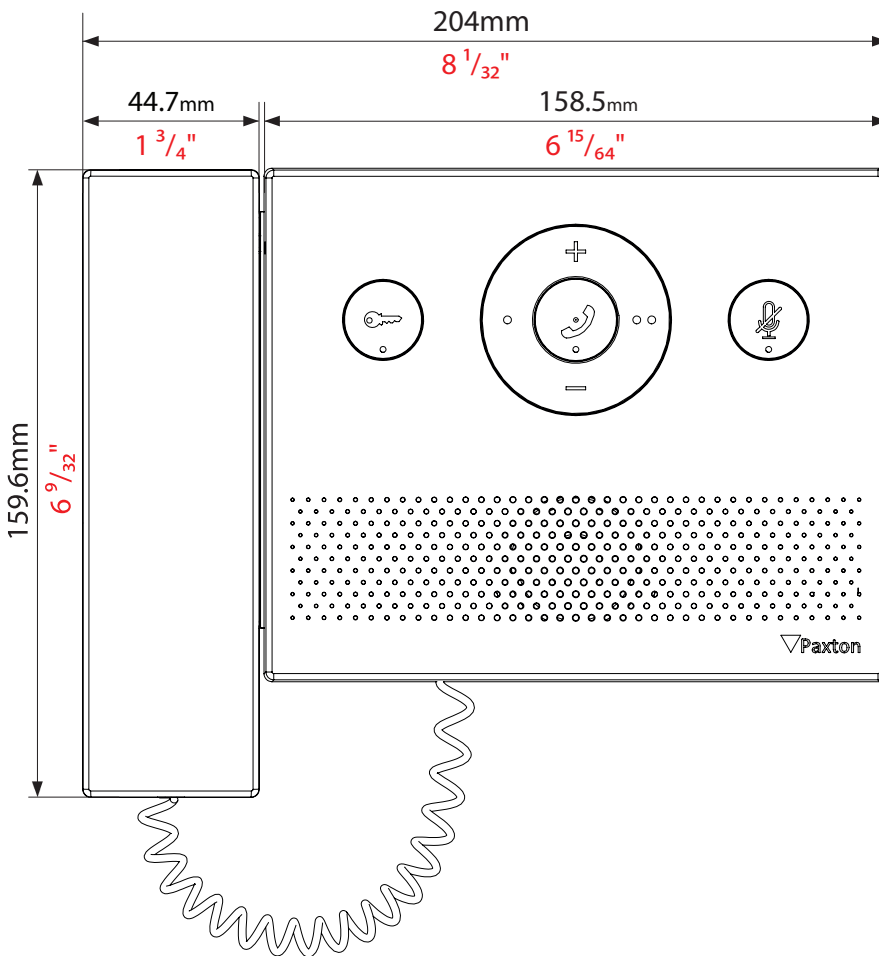
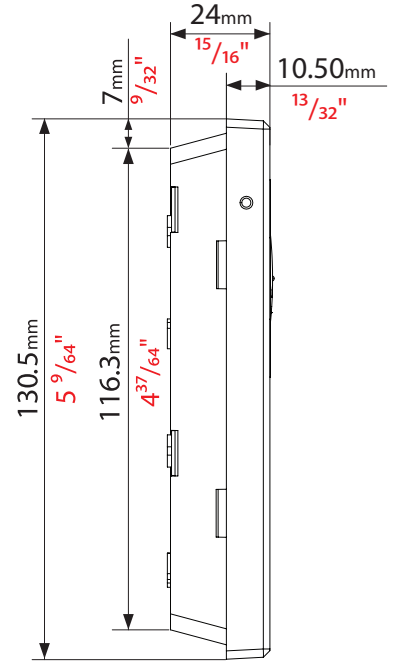
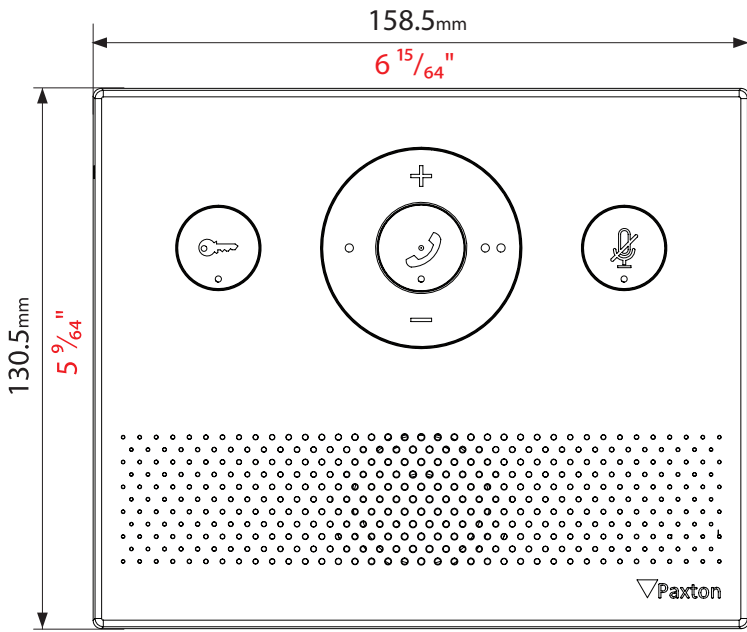
Accessories

Desktop stand	Optional
---------------	----------



Net2 Entry is a door entry system that works standalone or alongside Paxton's Net2 access control, combining door entry with key features of Net2. Net2 Entry consists of 3 components that auto-detect on set up; external panel, interior monitor and door control unit. Net2 Entry is a plug and play solution that comes with a range of panel options and is suitable for a wide variety of sites.

The Net2 Entry Audio monitor comes either with or without a handset, and can be wall or desk mounted. Net2 Entry components simply interconnect using Cat5 or standard RJ45 terminated patch cables. Net2 Entry can also utilise existing network infrastructure for simple installation. PoE technology runs power and data along the same cable to avoid the need for separate power supplies. A visitor initiates a video call via the bell button on the external panel. Visitor access can be granted via the Net2 Entry Audio.



Sales codes

Net2 Entry Audio monitor	337-270
--------------------------	---------

Accessories

Net2 Entry Audio monitor - with handset	337-272
-----------------------------------------	---------

